

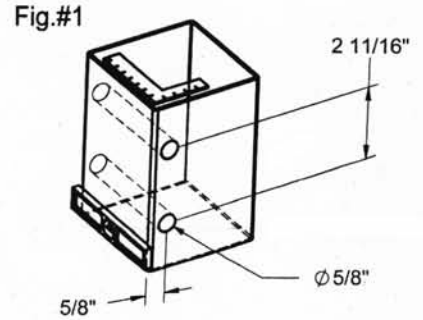
**PLEASE CAREFULLY READ ALL OF THE INSTRUCTIONS PRIOR TO INSTALLATION**

### STEP-1

Use one of the following methods for locating the mounting holes required to install the latch. THESE INSTRUCTIONS APPLY TO ALL POST SIZES.

#### WITHOUT MOUNTING TEMPLATE

At the desired mounting height of the Keystone Advantage<sup>™</sup> on the Fence Post, mark the centerpoints of the 2 holes, 5/8" from post edge spaced by 2-11/16". Drill 5/8" diameter holes at both centerpoints (fig 1). **IMPORTANT: HOLES MUST BE STRAIGHT AND LEVEL.**



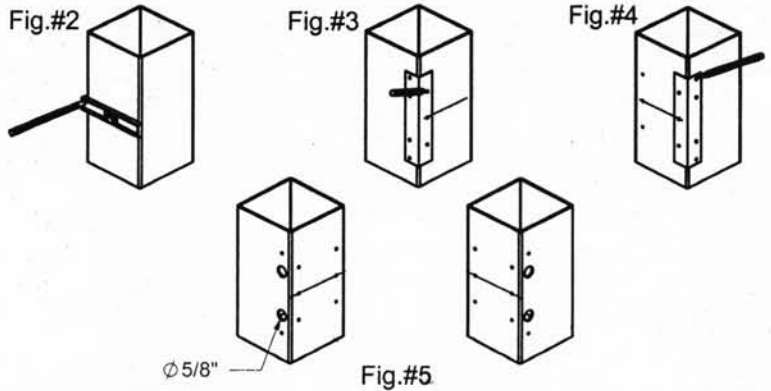
#### WITH MOUNTING TEMPLATE

Draw a level line at the desired height for the latch on the side of the post facing the gate. This line will locate the center of the latch when installed (fig 2).

Next, align the template so that the side with (3) holes is on the side of the post with the line. The line should be visible through the center hole of the template (fig 3). Mark all (7) holes provided in the template.

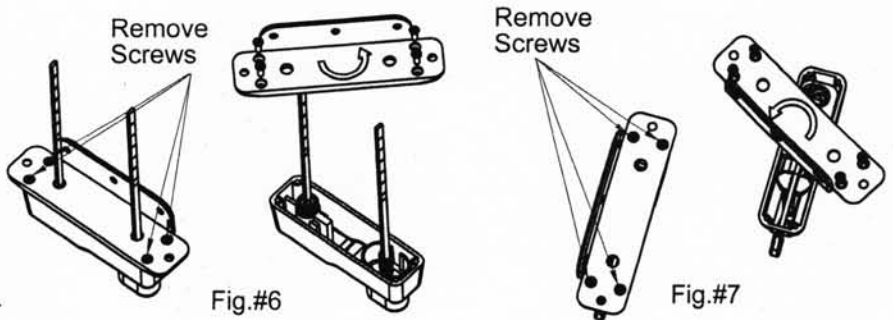
Reverse the template (fig 4) and align as described in previous step. Mark all holes in template.

Using marks created in previous steps, drill all (14) mounting holes. The two center spindle holes (fig 5) require a  $\phi$  5/8" hole. All other holes will be drilled to  $\phi$  1/8".



### STEP-2

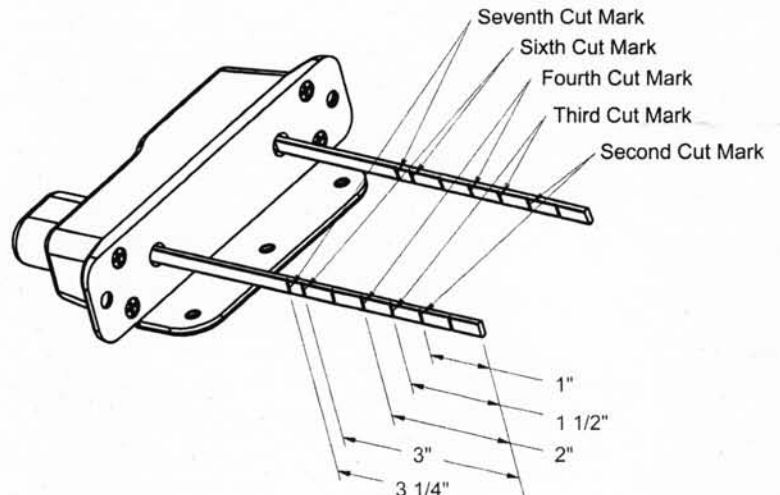
The Keystone Advantage<sup>™</sup> is designed to fit both right-hand and left-hand applications. To conform to your application both the button assembly (fig 6) and the latch assembly (fig 7) may need to be reversed. To reverse the button assembly: remove the four screws holding in the mounting base, carefully lift and rotate the mounting base. To reverse the latch assembly: remove the four screws holding the mounting base, carefully lift and rotate the mounting base. **IMPORTANT: INNER COMPONENTS MUST NOT BE DISTURBED WHILE REVERSING THE ASSEMBLIES.**



### STEP-3

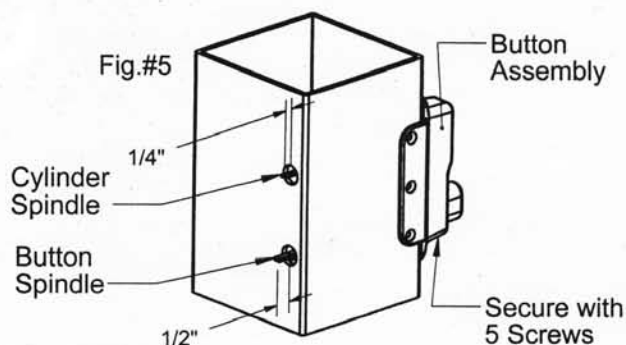
Pick fence post size from chart below. Keystone Advantage<sup>™</sup> is designed to fit many post sizes. **IMPORTANT: BE CAREFUL TO AVOID BENDING SPINDLE DURING CUTTING PROCESS**

Post Size	Cut Location on Spindles
1 3/4 X 3 1/2	Cut at the Seventh Inscribed Cut Mark
2 X 2	Cut at the Sixth Inscribed Cut Mark
2 X 3 1/2	Cut at the Sixth Inscribed Cut Mark
3 X 3	Cut at the Fourth Inscribed Cut Mark
3 1/2 X 3 1/2	Cut at the Third Inscribed Cut Mark
4 X 4	Cut at the Second Inscribed Cut Mark
5 X 5	DO NOT CUT SPINDLE



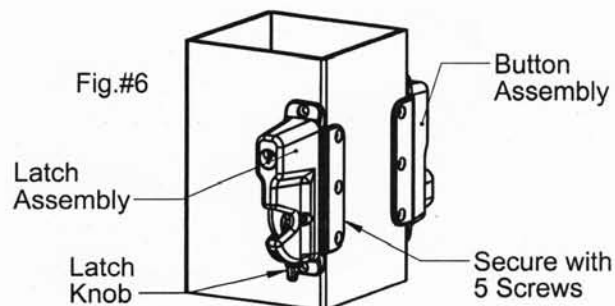
#### STEP-4

Attach the Button Assembly to the fence post with the Button Spindle mounted through the lower hole and the Cylinder Spindle through the upper hole. Without the button depressed the cylinder spindle should protrude through the post by 1/4" and the button spindle should protrude by 1/2". Be sure the spindle tips are free from burrs and sharp edges. Align the cylinder spindle so that it matches the mating slot in the latch assembly. The mating slot is in the top hole on the back of the latch assembly.



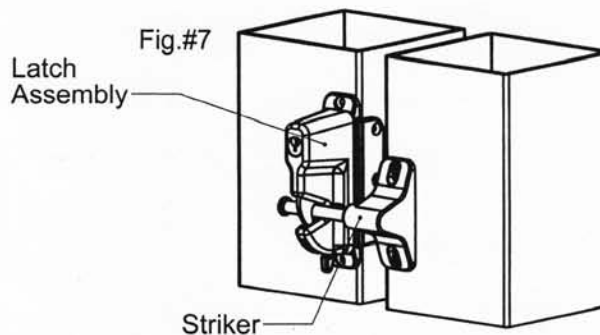
#### STEP-5

With the button depressed, align the latch assembly with the spindles and slide into place. Be sure the latch is NOT in the LOCK position when testing. Holding the Latch Assembly in place, TEST the latch by depressing the button. When the Latch is not locked the latch knob can be used to lift the latch mechanism. Attach the Latch Assembly to the fence post with the supplied screws.



#### STEP-6

After installing both the button assembly and the latch assembly, position and attach the Striker. With the gate closed, position the striker with the Striker Rod within the latch assembly, behind the latch mechanism.



#### STEP-7

After installation, TEST the locking and unlocking of both the latch and button sides.

##### LATCH SIDE

Lock: Turn key clockwise to stop point, then counterclockwise to 12:00 O'Clock position and remove

Unlock: Turn key counterclockwise to stop point, then turn key clockwise to 12:00 O'Clock position and remove



##### BUTTON SIDE

Lock: Turn key counterclockwise to stop point, then turn key clockwise to 12:00 O'Clock position and remove

Unlock: Turn key clockwise to stop point, then counterclockwise to 12:00 O'Clock position and remove



## TROUBLESHOOTING

**If the latch's lock feature fails to work as described in Step-7 then you will need to reverse the button side cylinder spindle.**

To reverse the button side cylinder spindle:

- 1) Remove the keys from the latch.
- 2) Carefully remove the latch side from the post.
- 3) Rotate the button side cylinder spindle (shown in figure #5) 180°. This should only turn in one direction.
- 4) Reattach the latch to the post, taking care not to turn the cylinder spindle or cam inside the latch housing.

Once complete, check for proper operation



10333 WINDHORST ROAD, TAMPA, FL 33619  
<http://www.NationwideIndustries.com>

## Keystone® Series Latches

### Nationwide Industries

Tampa, Florida 33619

USA

The Keystone® series latches are designed and manufactured by: Nationwide Industries, Inc.

#### Note:

Swimming pool gates, fences and their latches are designed to aid and not substitute for adult supervision. To the extent this product is used around a pool, prior to installing, consult local licensing and safety authorities for approvals and/or requirements. The Keystone® will operate properly only if installed in accordance with instructions.

**Maintenance:** The Keystone® latches should be inspected annually, or more frequently if the gate is used often. Use a non-toxic lubricant on all moving parts. Use mild soap & water to clean exterior body or unit. Always remove key upon locking. Occasionally re-tighten all mounting screws to assure proper operations.

### Lifetime Warranty and Liability Limitation

**What Does This Warranty Cover?** This warranty covers any defects in materials or workmanship in your new Keystone®, with the exceptions stated below.

**How Long Does the Coverage Last?** This warranty runs for as long as the original purchaser owns the Keystone®. This warranty only covers the original purchaser and coverage terminates if you sell or transfer the Keystone®.

**What Does This Warranty Not Cover?** This warranty is void in its entirety in the event the Keystone® is tampered with, altered, misused, neglected, damaged, improperly installed or maintained, repaired or attempted to be repaired by an unauthorized person, or used in any manner which is not in accordance with the instructions provided by Nationwide. Nationwide's aggregate liability in damages or otherwise shall not exceed the payment, if any, received by Nationwide for the Keystone® furnished to you which is the subject of a claim or dispute. In no event shall Nationwide be liable, whether in contract, in tort, under warranty, in negligence or otherwise for incidental, consequential, or special damages of any kind whatsoever, howsoever caused.

**What Will Nationwide Do?** In the event of any defect in material or workmanship in the product covered under this warranty, Nationwide will replace such Keystone® with a new Keystone® (or, in the event the Keystone® is no longer available, a latch similar thereto) at no charge.

**How Do You Get Service?** In the event of any defect in material or workmanship in the Keystone® latch covered under this warranty, send such Keystone® postage paid, together with proof of purchase and a brief written description of the problem to Nationwide Industries, 10333 Windhorst Road, Tampa, Florida 33619, Attention: *Customer Service Manager*

**How Does State Law Apply?** This warranty gives you specific legal rights, and you may also have other rights which vary from state to state.

#### DISCLAIMER

A pool owner or operator is always responsible for the safety of those in or around the pool and, to the extent this product is used around a pool, the manufacturer and supplier of this device cannot and will not accept such responsibility. In addition, the manufacturer and supplier of this device cannot and will not accept responsibility for unauthorized modifications to or for defective or inadequate maintenance of this device. No modification to this device whatsoever is to be made other than with respect to the adjustments outlined in the installation instructions. If this device fails to function properly, it should be returned promptly to the supplier for replacement.